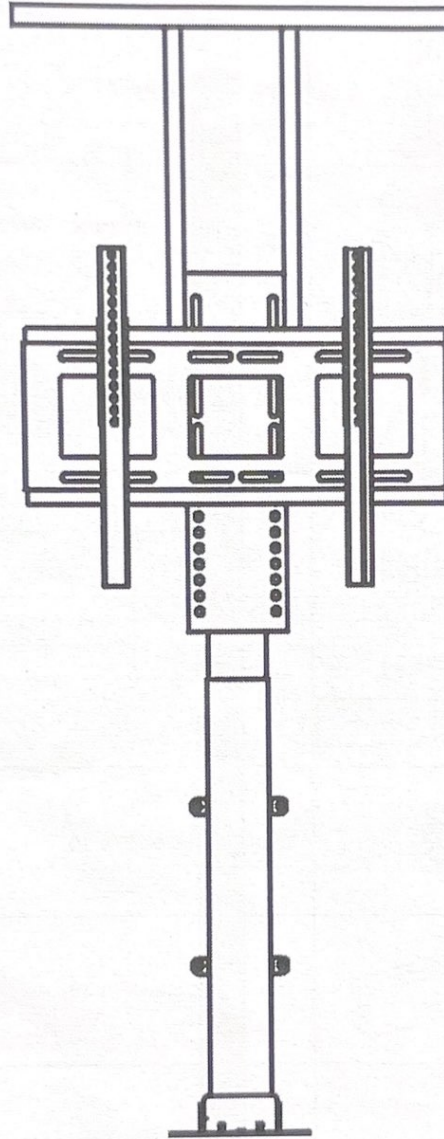












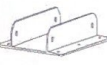

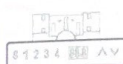

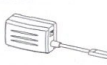







ASSEMBLY INSTRUCTIONS



Model No : CTD-TV7

Component Checking-list

A	Bracket Rod I -Parts		2pc	K	Remote Controller		1pc
B	Bracket Rod I		1pc	L	Screw M6*16		8pcs
C	Lift Column		1pc	M	Screw M8*12		8pcs
D	TV Holder		1pc	N	Countersunk Screw M6*10		4pcs
E	Bracket		1pc	O	Nut M8		4pcs
F	Column Fix Plate		1pc	P	Hexagon wrench 4mm		1pc
G	Hand display		1pc	Q	Hexagon Wrench 5mm		1pc
H	Control Box		1pc	R	ScrewST4*16		14pcs
I	Adapter		1pc	S	ScrewST3*10		2pcs
J	Power Code		1pc	T	Standby Screw Bag		1bag



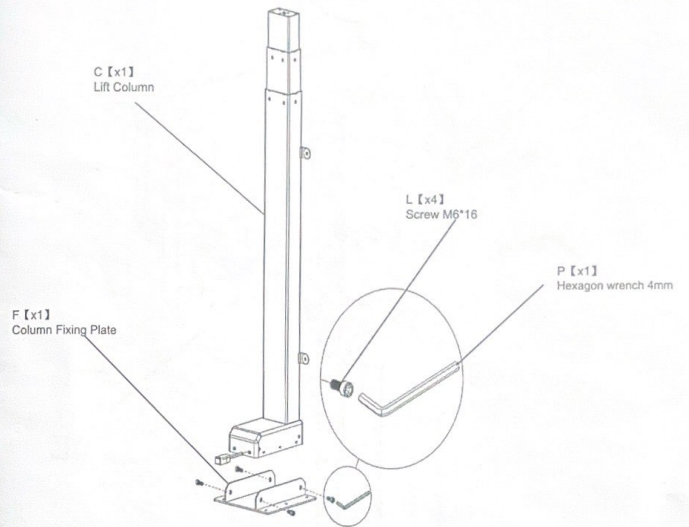
Crosshead (Philips) screwdriver



required for installation

1

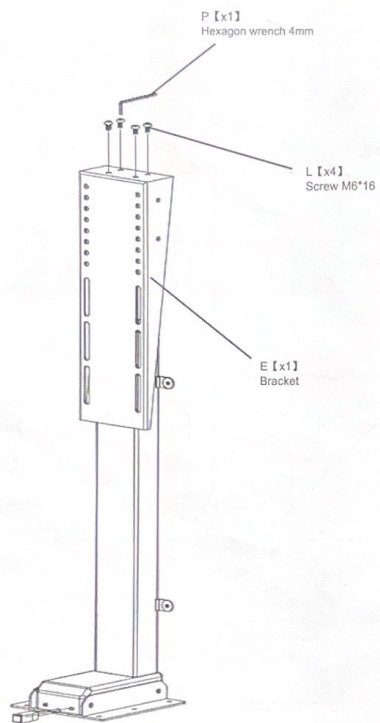
Accessmbing The Column With Plate




Please fix Lift Column and column fixing plate by Screws M6*16*4.

2

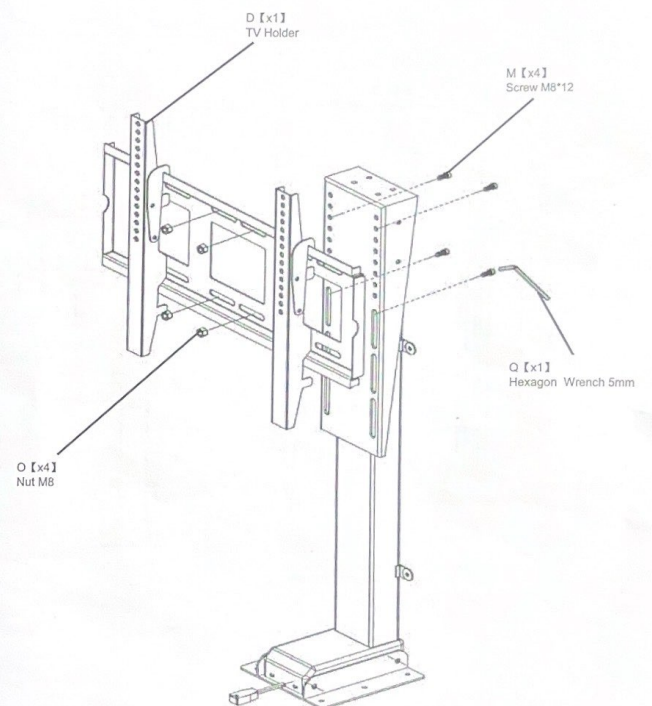
Installing The Column and Bracket



 Please fix the TV bracket and Lift Column by Screws M6*16*4

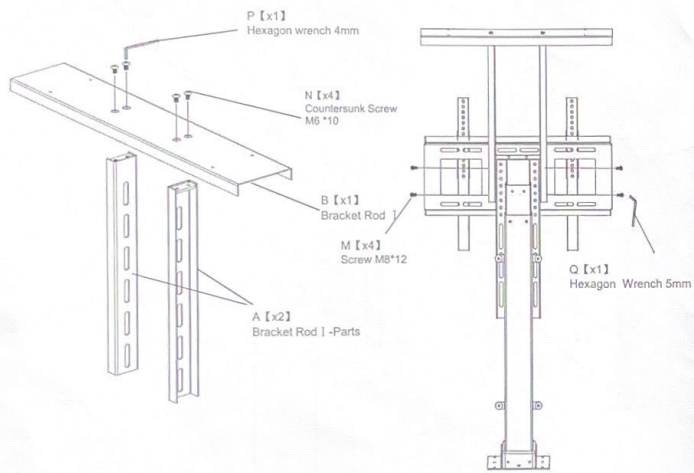
3

Fix TV Holder With Bracket



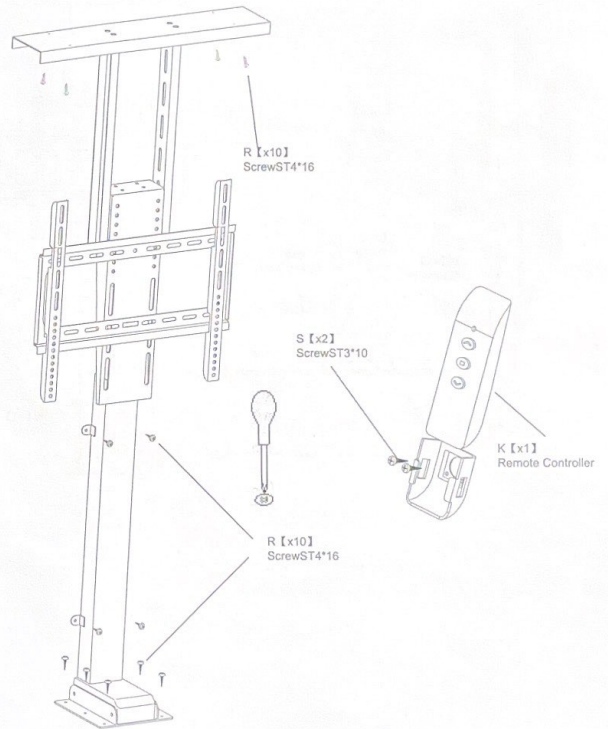
4

Fix Bracket Rod With TV Holder



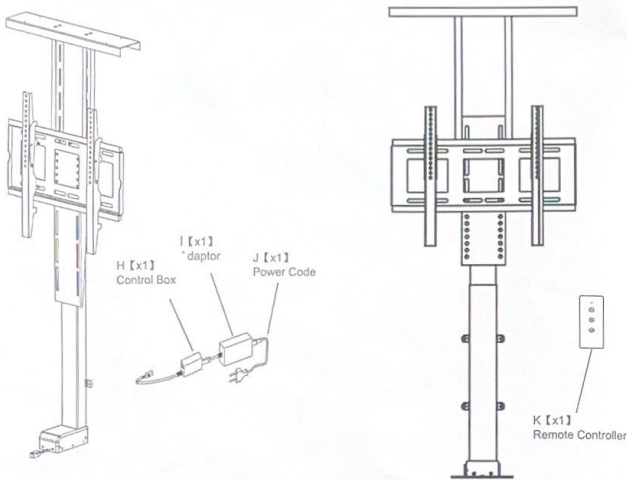
5

Fix Column And Plate With Cabinet



6

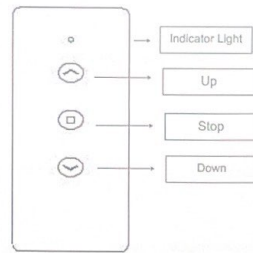
Connect The Control System



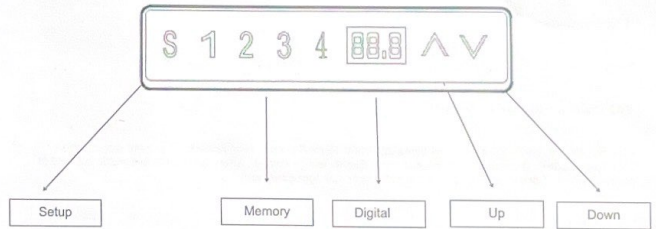
7

Operation Manual

【1】 Remote Control



【2】 Hand display



【3】 Remote control matching :

Keep press the up button "▲", also connect both the adapt and controller box meanwhile ,until we hear the buzzig

【4】 Reset Operation :

After install the TV lift and control system is matched ,keep press down button "▼", the system goes into initialization mode , until hand display shows from "RST" to the lowest height,Pause slightly and the column rise 5-10mm means reset successful.

【5】 Column stop operation:

When the lift running up or down ,press the stop button "□". It'll stop immediately

【6】 Memory function:

"1, 2, 3, 4" is memory point ,Operation method is as follows:
Touch "S" button, indicator show "S-", meanwhile "-" flicker, at the same time touch "1-4" button, reserve this position to relative "1-4", four memory positions can reserve. It also can repeated memory . The position is still saved after power failure !

After the position of the column is remembered , Operate the hand display and press the "1" button to remember the position ,the column will automatically go to the memorized position ;

If want to stop it running in the process of post operation ,Press the hand display button "▲" or "▼"

【7】 Unit Conversion:

Keep press "S" for 8s, the unit "cm" "inch" system will switch automatically.

【8】 Operation System Protection:

After the lift runs continuously for 3-4 times ,the controller will in protection position. The hand display show "HOT". At this time, the remote control ,and hand display will be invalid , After 18mins, the automatic connect or direct power off (power off refers to the adapter indicator light goes out)

Precautions:

- 1) The product shall be used in accordance with the technical parameters ;
- 2) Keep away from corrosive gas and dusty environment, pay attention to waterproof;

 When the indicator light of the hand display show red ,it needs to be reset before it can be used normally